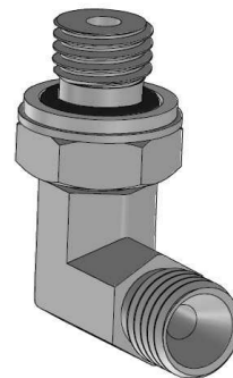
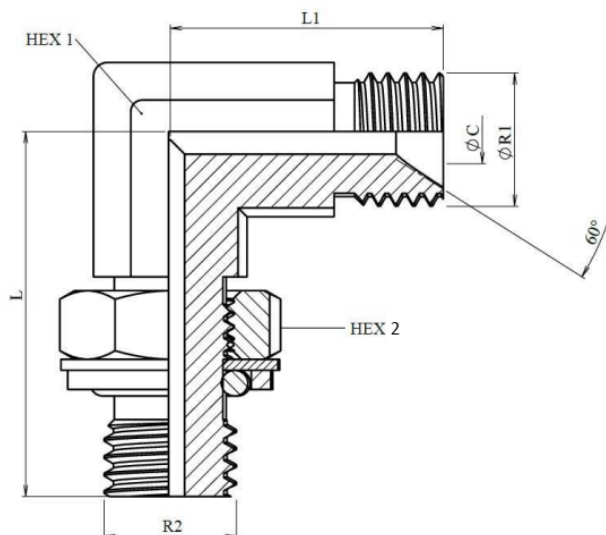


DATA SHEET - TEHNIČNI LIST



	R1	R2	L	L1	HEX 1	HEX 1	ØC	⚖️ (Kg)
	1/8" BSP	1/8" BSP	26	22,5	11		3,5	0,029
83395	1/4" BSP	1/4" BSP	34	26	14	19	6	0,060
83396	29			19	8		0,080	
83398	3/8" BSP	1/2" BSP	35	43	22	27	17	0,170
83397							30	19
83399	1/2" BSP	3/8" BSP	40	34	22	27	11	0,147
83400							43	35
83401	3/4" BSP	1/2" BSP	45	41	27	36	16	0,246
83402							50	41
83403	1" BSP	3/4" BSP	52	47	33	41	22	0,374
83404							54	47
	1"1/4 BSP	1"1/4 BSP	62,9	50,8			28,6	0,700
	1"1/2 BSP	1"1/2 BSP	60	61	47		33	0,920
	2" BSP	2" BSP	75,15	75,25	64		45,5	1,900

Izdelano iz Oglikovega Jekla

Made of Carbon Steel

